

ThermaCompact TF

Thermal Insulation by Thermaflex[®]

Fully recyclable thermal tube insulation product made of direct extruded, closed-cell high quality polyethylene foam with strong protective polymer coating

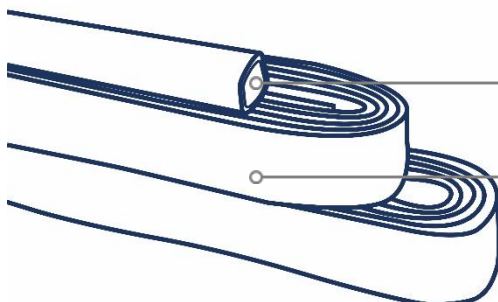


Benefits

- Consistent performance – strong protective polymer coating and robust insulation material
- Noise reduction (structure-borne sound)

Applications

- Domestic plumbing – noise reduction (structure borne sound) in walls and floor spaces as well as condensation prevention for
 - Cold water pipes
 - Drain piping



Design

Polyethylene foam
effectively suppresses sounds generated in the installation

Strong polymer coating
protection of insulation

Technical Properties

Properties	Units SI	Values	Testing method
Physical properties			
Density	kg/m ³	30 - 40	-
Structure	-	closed-cells	-
Color	-	Skin: red Foam: white	-
Thermal properties			
Maximum service temperature	°C	+95	EN 14707
Fire properties			
SBI classification	-	Class E _L	EN 13501-1

*the material was tested according to the EN ISO 11925-2:2010

Availability

- Standard product length is 10m in different packing units in carton boxes (30x40x103cm)

Tube Insulation				
Outer pipe Ø [mm]	Carrier Pipe Ø DN [mm]	Tube Insulation Ø [mm]	Insulation Wall thickness [mm]	
			4 (3.5-4.5)	9 (8.5-9.5)
15	8	17.5-18.0	3920-004015-000	-
18	10	21.5-22.0	3920-004018-000	-
22	15	23.5-24.0	3920-004022-000	-
28	20	28.5-29.5	3920-004028-000	-
35	25	36.0-36.5	3920-004035-000	-
42	32	44.0-46.0	3920-004042-000	-
-	50	61.0-62.0	3920-004050-000	3920-009050-000
-	60	70.0-72.0	3920-004060-000	-
-	70	88.0-89.0	3920-004070-000	3920-009070-000
-	90	118.0-120.0	3920-004090-000	3920-009090-000
-	100	125.0-130.0	3920-004100-000	3920-009100-000
-	125	149.0-151.0	3920-004125-000	3920-009125-000
-	150	178.0-180.0	3920-004150-000	-

Wrapping tape, 2mm thickness	
Roll 3.6m length	Adhesive roll 3.6m length
70 x 2mm	70 x 2mm
100 x 2mm	100 x 2mm

